

Wall Signs

A range of curved wall mountable sign frames available in both portrait and landscape positions. Featuring a high quality extruded aluminum body with impact-modified plastic molded end caps. Custom widths are offered to meet your specifications.



top insert slides left & right



partition pins used to secure frame to fabric wall



features and benefits:

- Choose between Top-to-bottom curve or Left-to-right curve
- High quality curved aluminum body available in anodized silver or powder-coated black finish
- Choice of black or grey impact-modified plastic end caps
- Comes standard with non-glare lens, unless otherwise specified
- Double sided adhesive tape and holes for screw mount optional
- Custom lengths available

dimensions:

Hardware	Shipping
Assembled unit: see catalog	Shipping weights and dimensions vary depending on the quantity of product ordered. Contact your dealer for your specific weights and dimensions.



additional information:

Graphic material:
Frames can accommodate a multitude of sign substrates from printed paper inserts, laminated printed, cut vinyl, etc. Your sign professional will help you find the material that's right for your project.

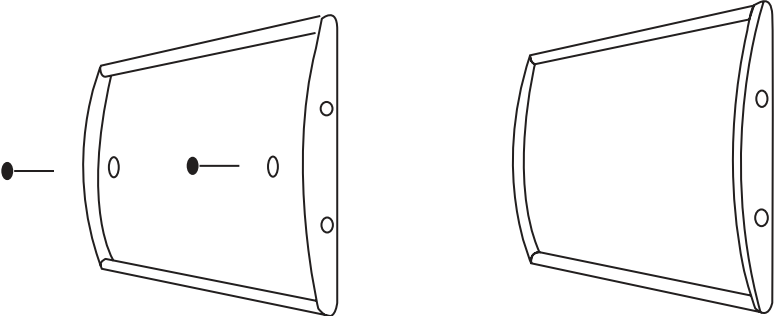
- Frames are ADA-compatible, and can accommodate 1/16" engraved/applique lens to comply with ADA requirements
- Custom lengths available
- All lengths measurements (as shown on pg.2) apply to the extrusion only and exclude the end caps

SIGNPRO™
S Y S T E M S

We are continually improving and modifying our product range and reserve the right to vary the specifications without prior notice. All dimensions and weights quoted are approximate and we accept no responsibility for variance. E&OE. See Graphic Templates for graphic bleed specifications.

WL Series | Landscape

left & right endcaps



WP Series | Portrait

top & bottom endcaps

