

Formulate Mounted Counter

Left: WC-L

Right: WC-R

Formulate™ accents enhance the functionality of any 10ft or 20ft backwall and add more real estate for messaging too! With graphic headers, monitor supports, literature pockets, shelves, tables, counters and more, you are sure to find the accent that best suits your needs.



features and benefits:

- Choose between left or right side mount
- Can be easily added to any 8ft, 10ft or 20ft backwall frame
- Four laminate color options available
- Countertop holds max 10 lbs / 4.5 kg
- Easy to store and ship
- Quick to assemble and attach to frame
- Lifetime hardware warranty against manufacturer defects

dimensions:

Hardware

Shipping

Assembled unit:

20.5" w x 28.3" h x 14.8" d
521mm(w) x 719mm(h) x 376mm(d)

Shipping dimensions:

34" l x 16" w x 12" h
864mm(l) x 406mm(w) x 305mm(h)

Countertop dimensions:

20.5" w x 1.2" h x 11.8" d
520mm(w) x 30mm(h) x 300mm(d)

Approximate shipping weight:

15 lbs / 6.8 kg

Approximate weight:

4.97 lbs / 2.25 kg

additional information:

Countertop holds max 10 lbs / 4.5 kg

Table colors:



silver

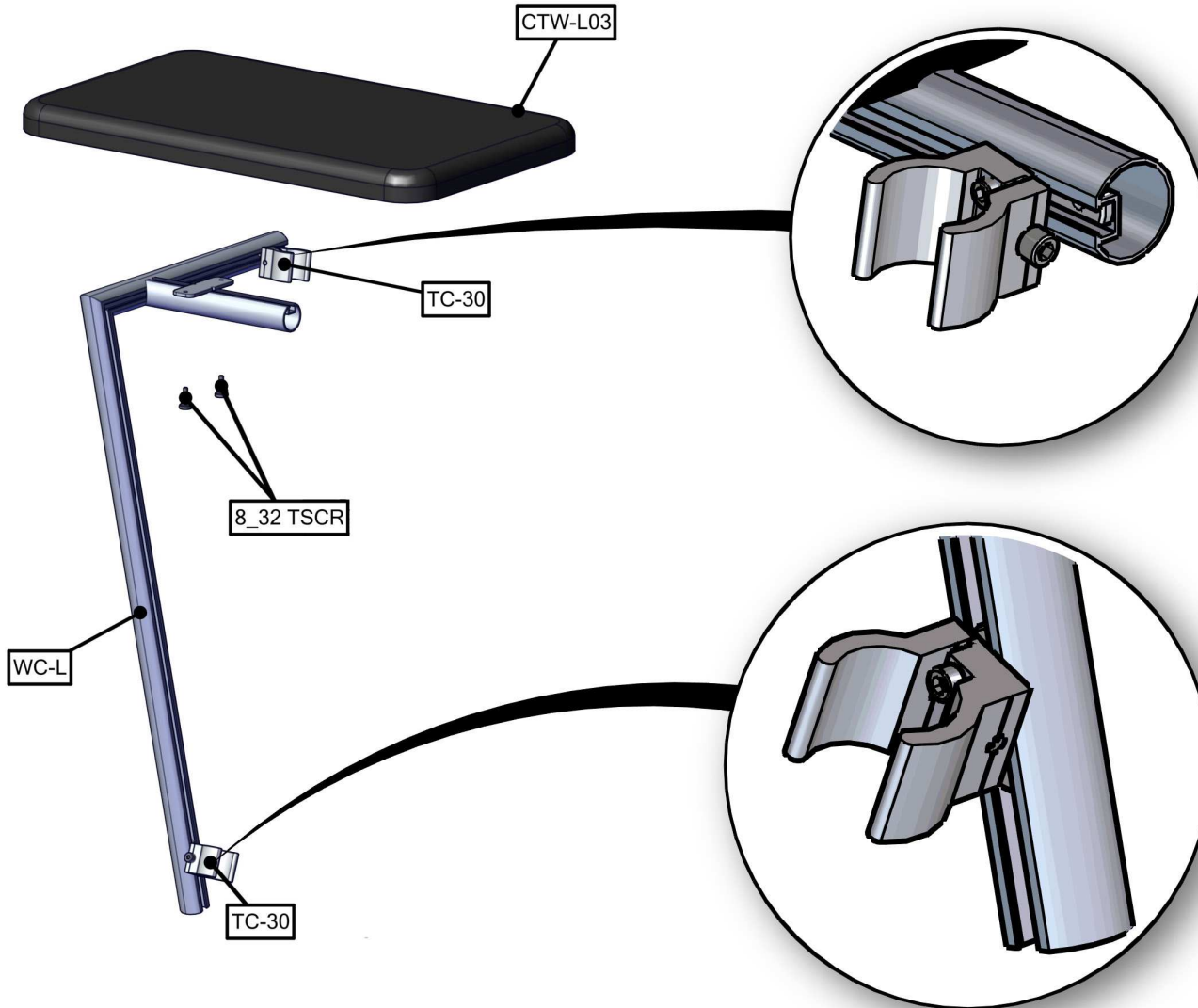
black

mahogany

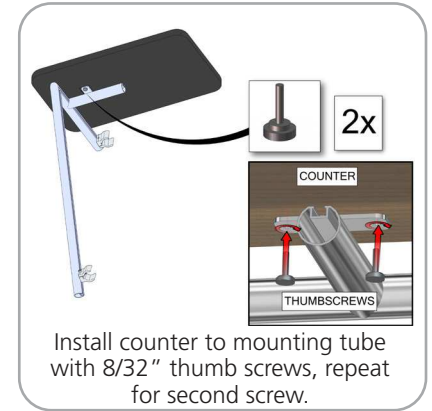
natural

We are continually improving and modifying our product range and reserve the right to vary the specifications without prior notice. All dimensions and weights quoted are approximate and we accept no responsibility for variance. E&OE. See Graphic Templates for graphic bleed specifications.

Parts Included		
Part Label	Qty	Part Code
8/32 THUMB SCREW	x2	8_32_TSCR
520 X 300 X 30 COUNTER	x1	CTW_L03
SILVER ANODIZE FINISH 30MM TUBE CLAMP	x2	TC-30
MOUNTED TABLE TOP WITH SUPPORT BRACKET LEFT OR RIGHT SIDE	x1	WC-L OR WC-R



STEP 1: ATTACH STAND-OFF



STEP 2: ATTACH TO BACKWALL

