

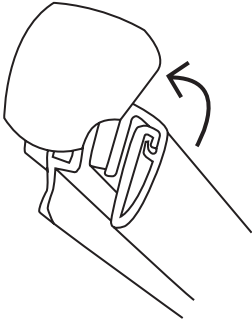
# Pacific

The Pacific is a lightweight, affordable roller banner with slim base and bungee pole making it very compact. It comes complete with a swivel out foot for extra stability.

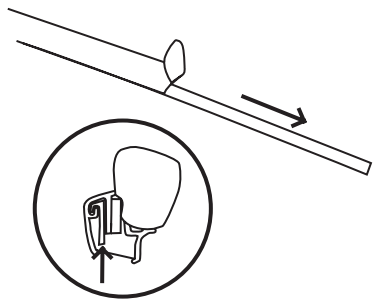


## Adhesive Top Rail Attachment

**1**



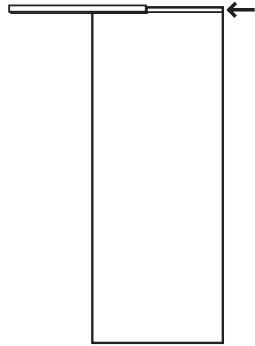
**2**



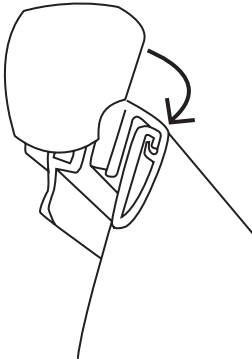
**3**



**4**

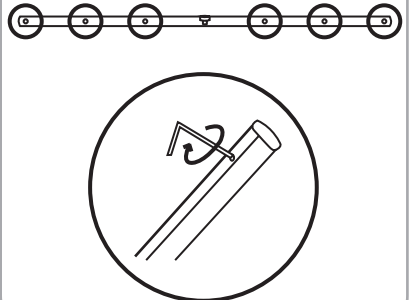


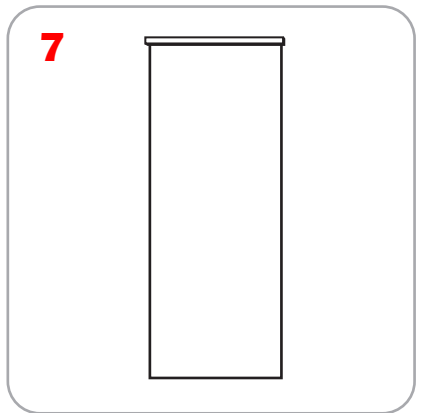
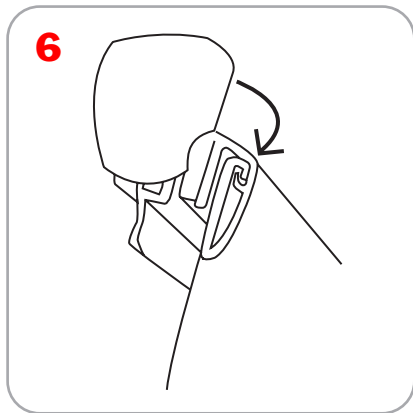
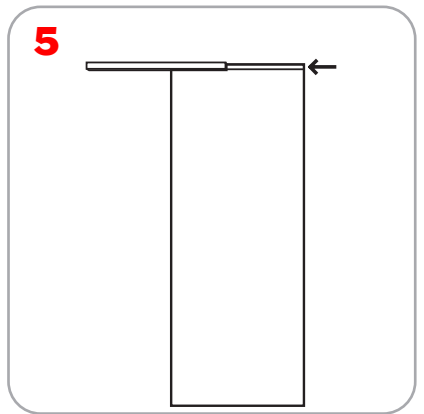
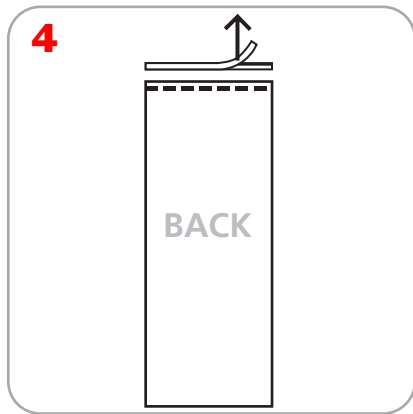
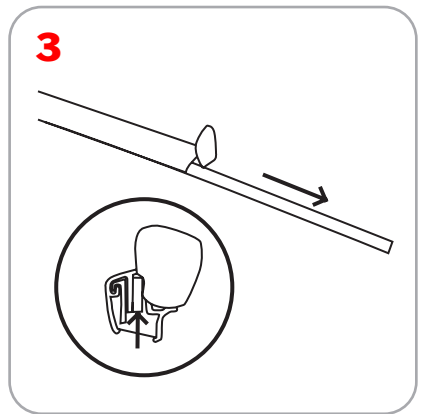
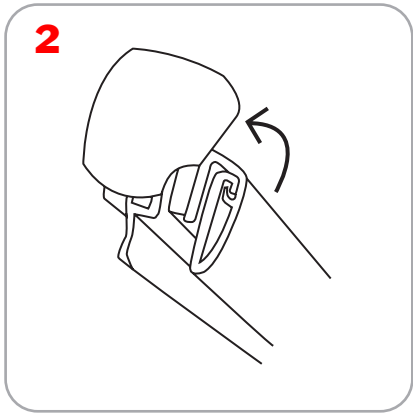
**5**



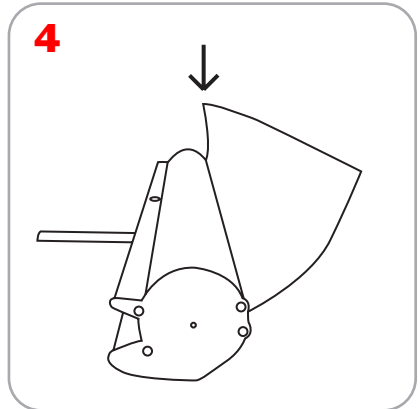
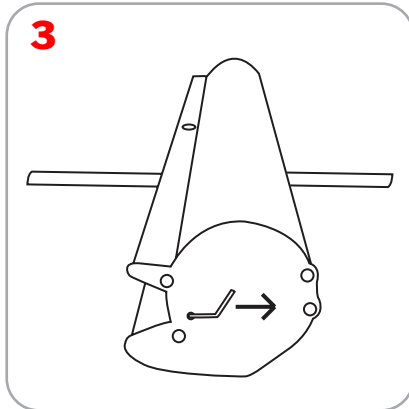
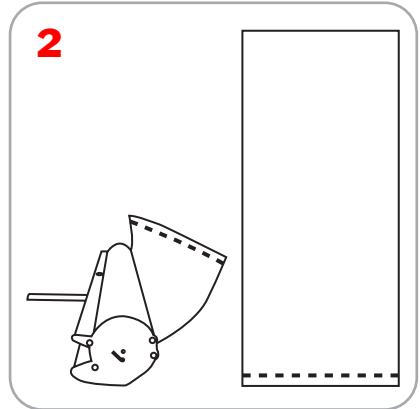
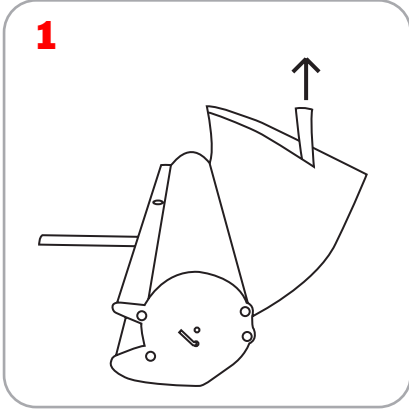
## Grippa Top Rail Attachment

**1**

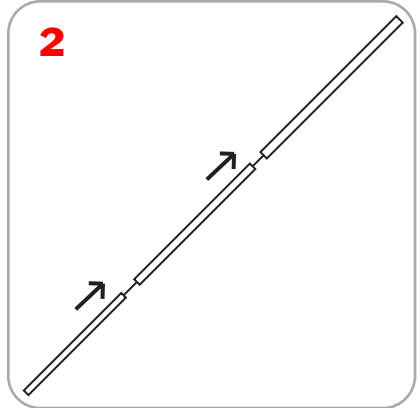
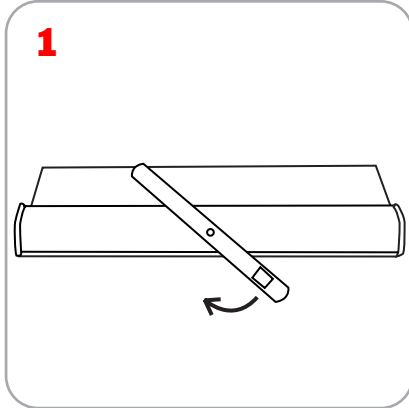


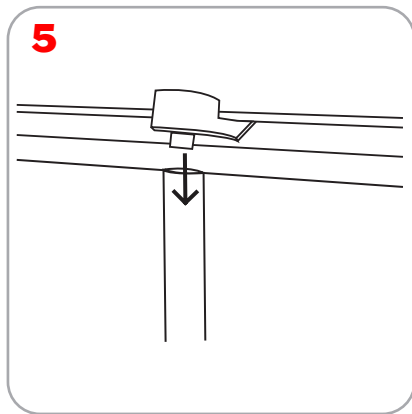
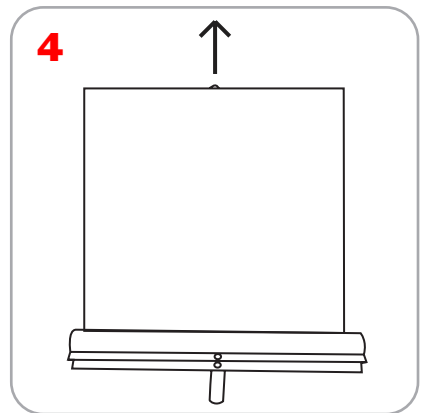
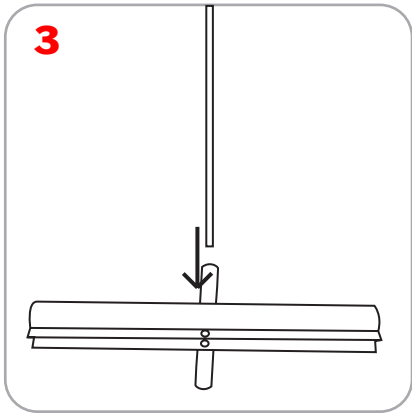


## Attaching Graphic to Leader strip



## Assembly Instructions





## Features and Benefits

- Your choice of 3 widths
- Molded endplates
- Compact and lightweight
- Supplied with quality carry bag
- Available in anodized silver
- Swivel-out foot for extra stability

## Dimensions

### Hardware Dimensions

Pacific 800: 32.5" w x 3.75" d x 16" d (w/swivel foot extended)

825.5mm w x 95.25 mm d x 406.4mm d

Pacific 920: 36.5" w x 3.75" d x 16" d (w/swivel foot extended)

927.1mm w x 95.25 mm d x 406.4mm d

Pacific 1000: 40.25" w x 3.75" d x 16" d (w/swivel foot extended)

1022.35mm w x 95.25mm d x 406.4mm d

All Pacifics 4" d (101.6mm d) w/o swivel foot extended

### Graphic Dimensions:

Pacific 800: 31.5" w x 83.75" h (plus .5" bleed at top and 6" bleed at bottom)

800.1mm w x 2127.25mm h (plus 12.7mm bleed at top and 152.4mm bleed at bottom)

Pacific 920: 35.5" w x 83.75" h (plus .5" bleed at top and 6" bleed at bottom)

901.7mm w x 2127.25mm h (plus 12.7mm bleed at top and 152.4mm bleed at bottom)

Pacific 1000: 39.25" w x 83.75" h (plus .5" bleed at top and 6" bleed at bottom)

996.95mm w x 2127.25mm h (plus 12.7mm bleed at top and 152.4mm bleed at bottom)

Weight: Approx 10 lbs/4.54kg (including carry bag)

## Additional Information

### Shipping Info:

Pacific 800: 37 x 7 x 6, 8 lbs

939.8mm x 177.8mm x 152.4mm, 3.63kg

Pacific 920: 45 x 7 x 6, 11 lbs

1143mm x 177.8mm x 152.4mm, 4.99kg

Pacific 1000: 45 x 7 x 6, 11 lbs

1143mm x 177.8mm x 152.4mm, 4.99kg

Graphic Specs: Recommended material thickness: 8.86 - 11.81 mils

Recommended substrates: 13 oz. smooth vinyl, 7 oz. cotton, 14 oz anti-curl vinyl, 8 oz. oxford

-Included in Kit: Top rail, base, bungee pole set and carry bag

-Adhesive top rail attachment recommended for short-term use, grippa top rail attachment recommended for long term, semi-permanent graphic attachment.

Lighting is available

\*Hold the top rail whilst lowering the banner, do not drop, to prevent damage to the graphic

\*Opening the banner stand base may invalidate the product warranty

\*After fitting, the graphic should be left for 24 hours before use to ensure the adhesive bonds