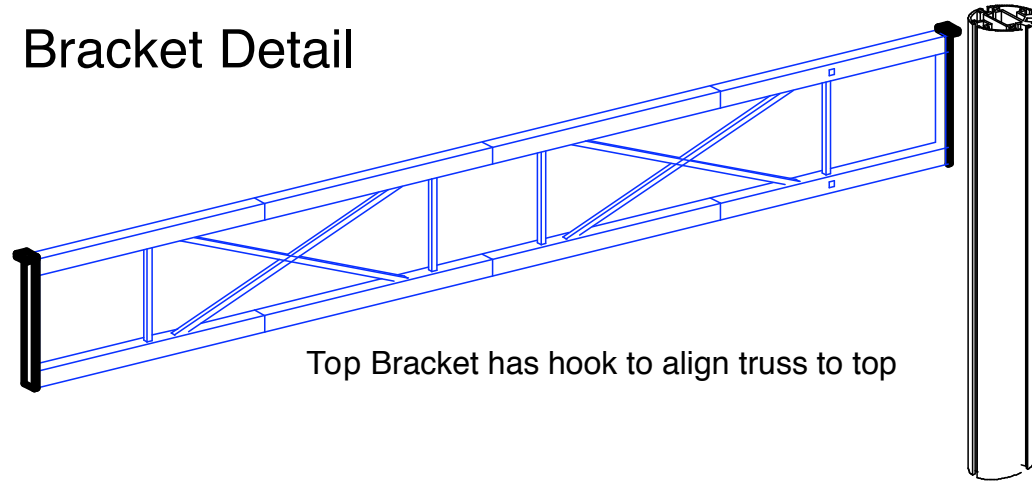
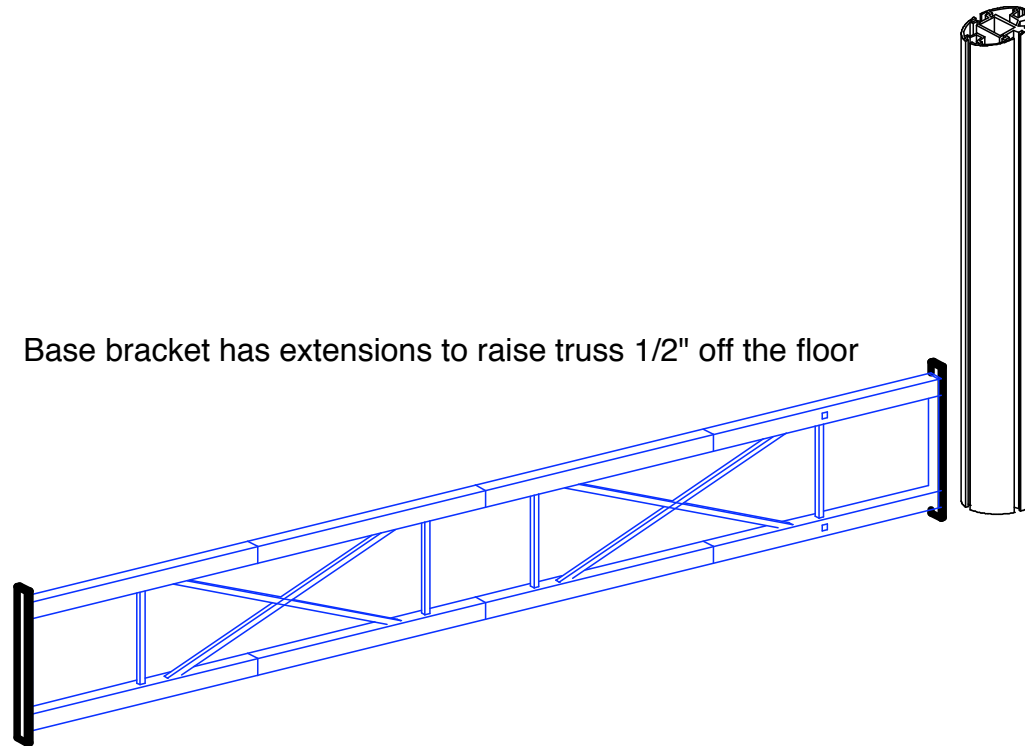


Bracket Detail



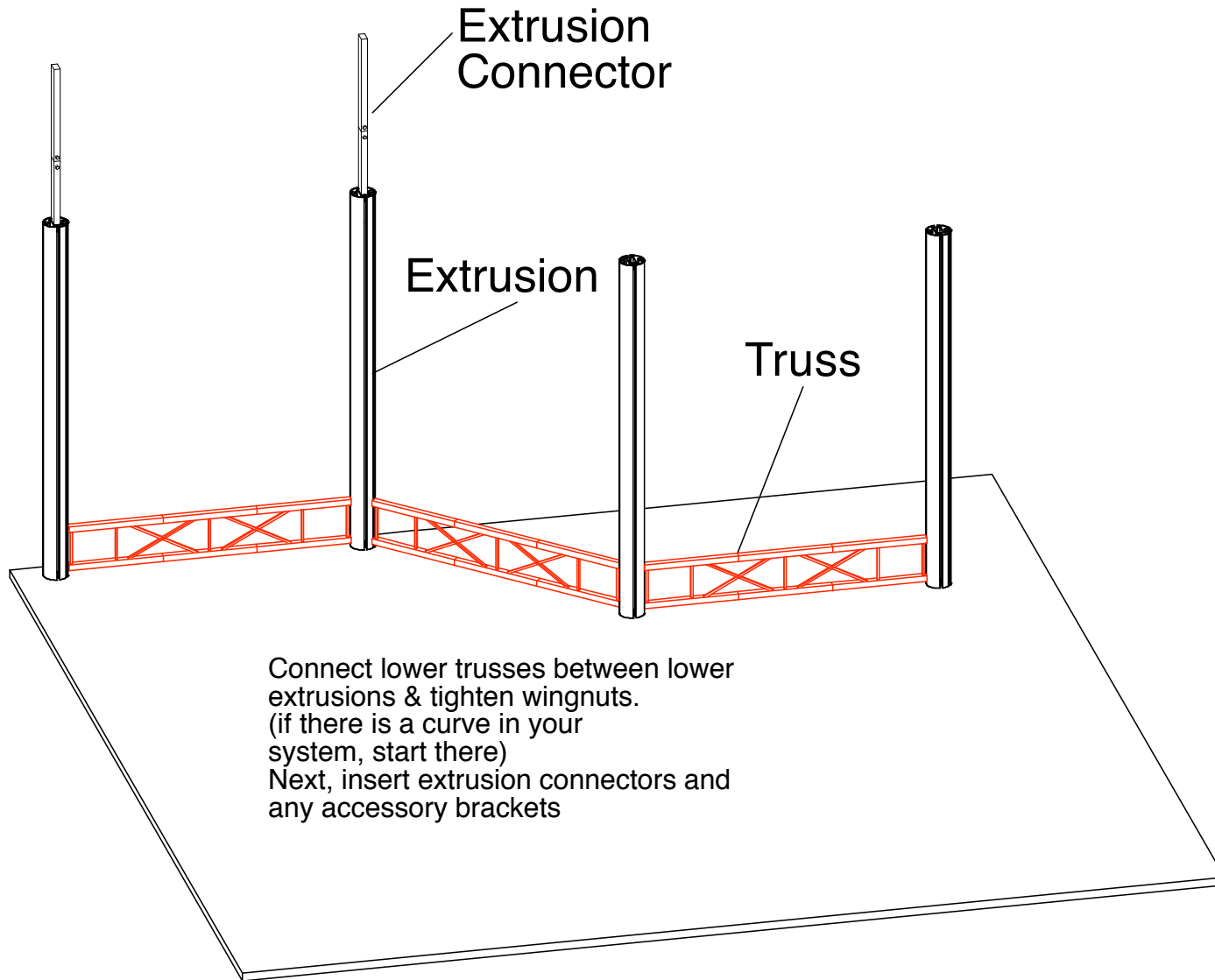
Top Bracket has hook to align truss to top



Base bracket has extensions to raise truss 1/2" off the floor

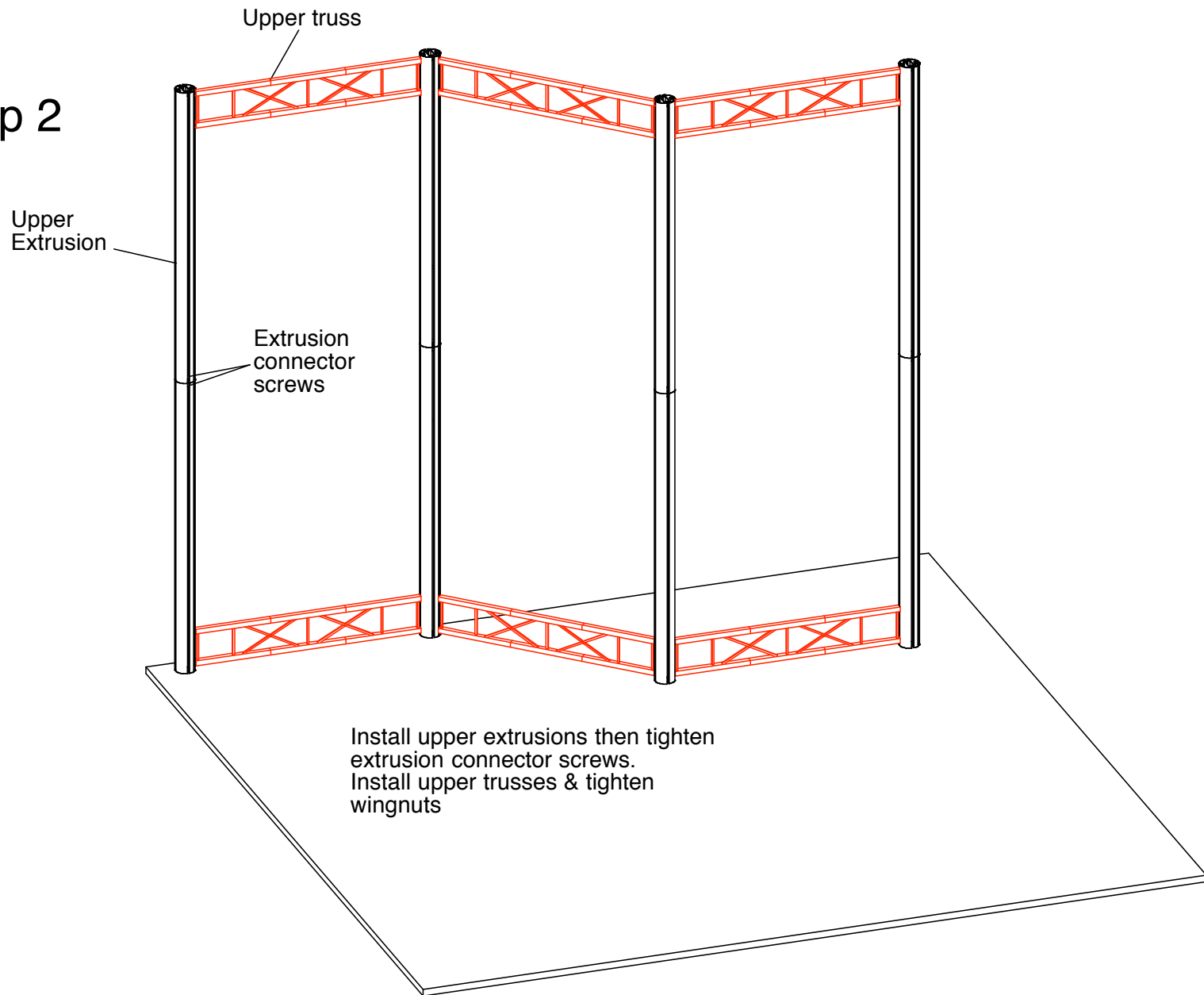
Step 1

This is NOT your layout, the layout below is for demonstration purposes only
Please see attached master sheet for your layout



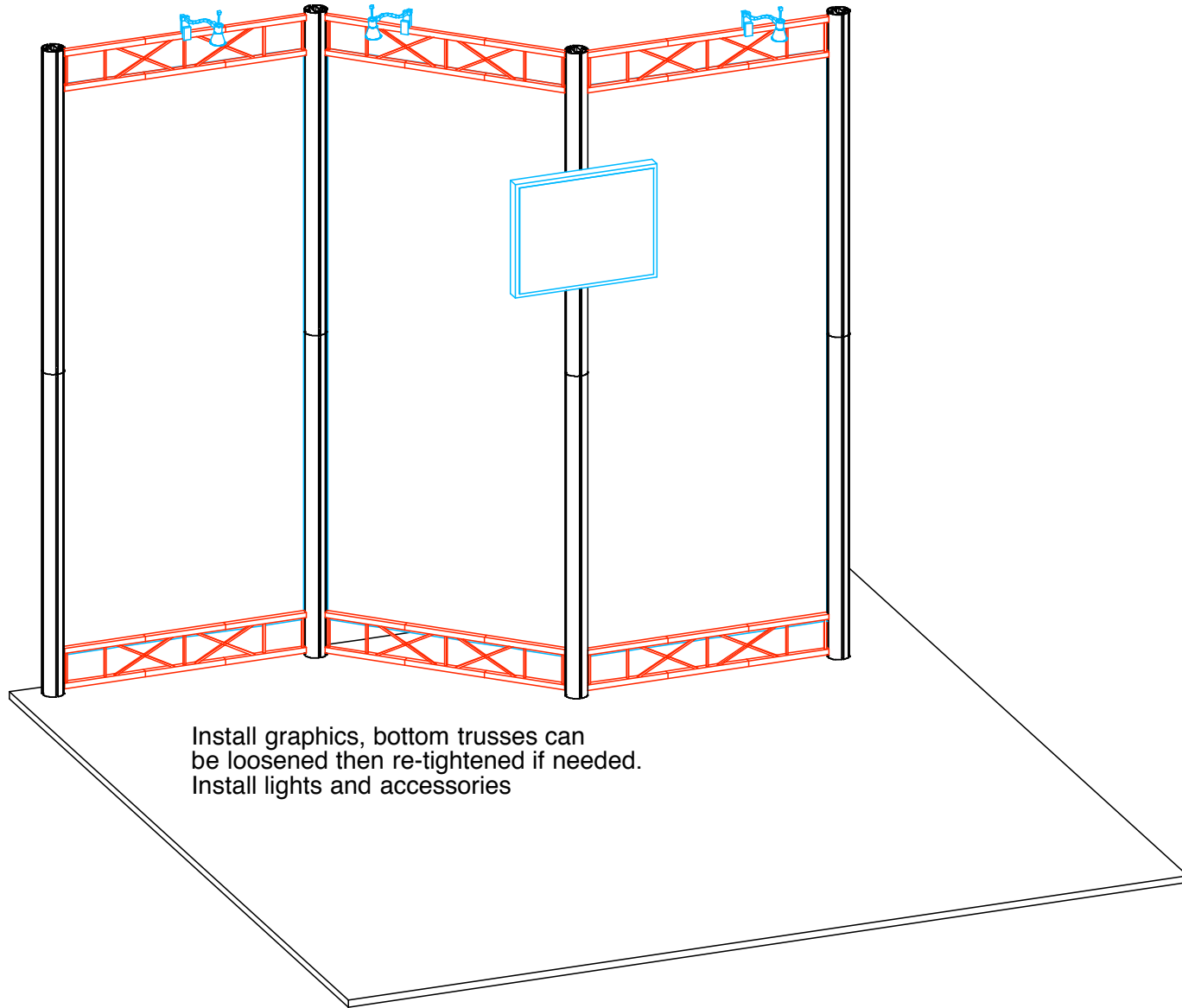
This is NOT your layout, the layout below is for demonstration purposes only
Please see attached master sheet for your layout

Step 2



This is NOT your layout, the layout below is for demonstration purposes only
Please see attached master sheet for your layout

Step 3



Install graphics, bottom trusses can be loosened then re-tightened if needed.
Install lights and accessories