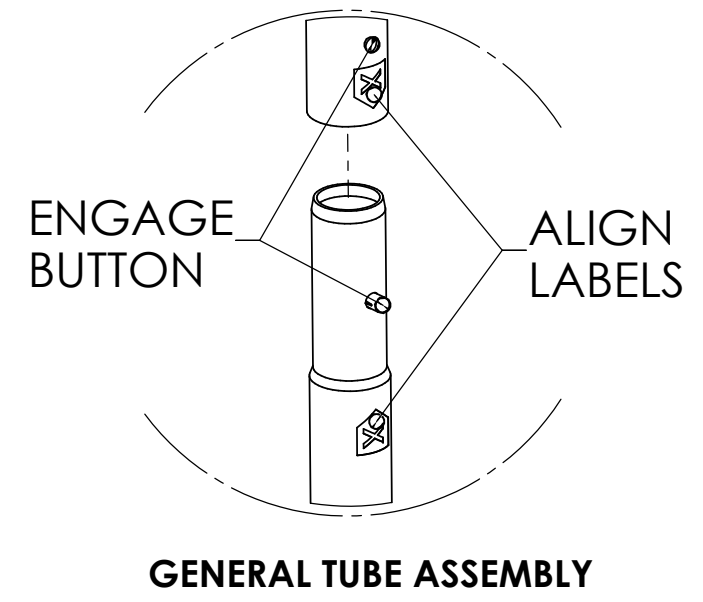
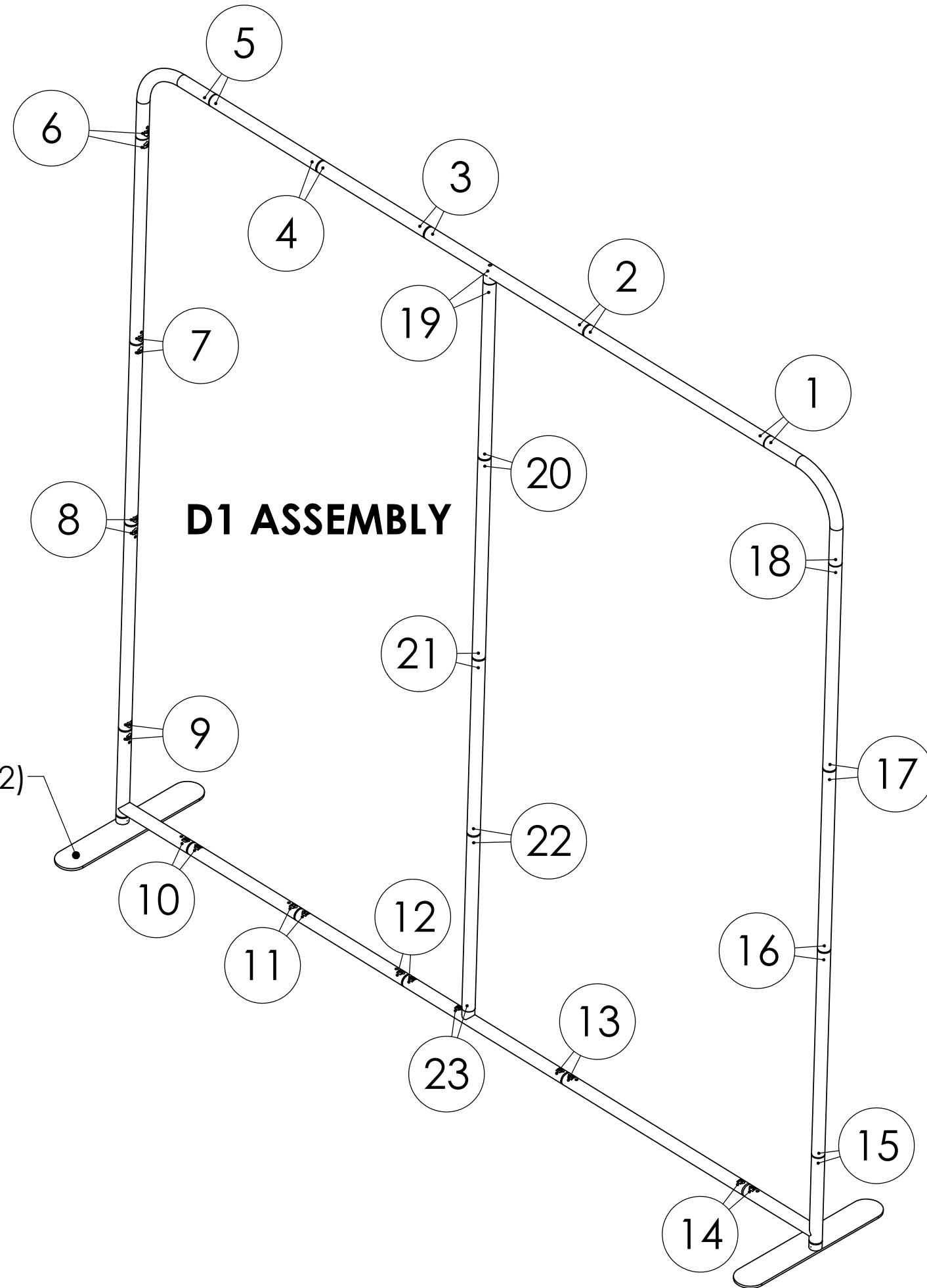


8 7 6 5 4 3 2 1

D
C
B
A



- NOTES: UNLESS OTHERWISE SPECIFIED**
- 1. MATCH NUMBERED LABELS AS SHOWN.**
 - 2. FEET STYLE MAY VARY.**

| | | |
|---|------------------------|--|
| FINISH: | THIRD ANGLE PROJECTION | PROPRIETARY |
| MATERIAL: | | THIS DOCUMENT AND DATA DISCLOSED HEREIN OR HEREBY IS NOT TO BE REPRODUCED, USED, OR DISCLOSED IN WHOLE OR IN PART TO ANYONE WITHOUT PERMISSION OF MEDO GROUP, INC. |
| DIMENSIONS ARE IN MILLIMETERS | | |
| TOLERANCES UNLESS OTHERWISE SPECIFIED | | |
| WAVE TUBE MODULAR WTM D1 ASSEMBLY INSTRUCTIONS | | |
| SIZE B | DWG. NO. | REV. |
| SCALE: 1:12 | DO NOT SCALE DRAWING | SHEET 1 OF 1 |

8 7 6 5 4 3 2 1