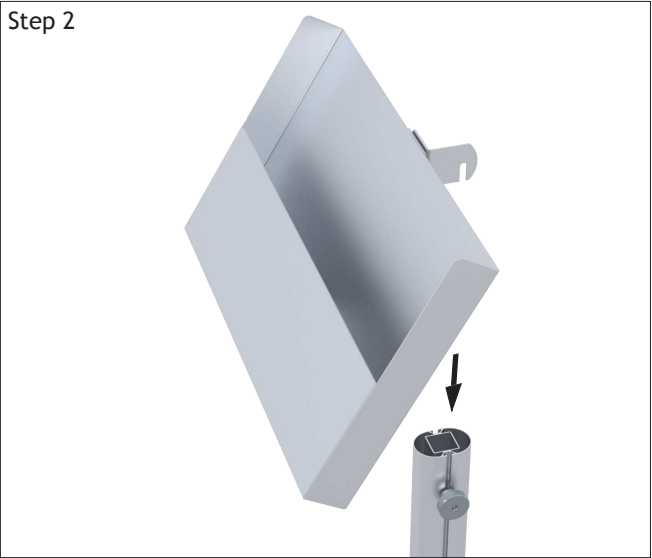
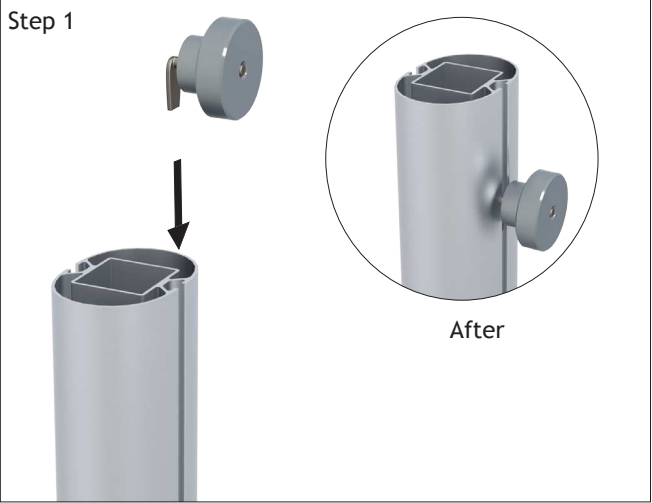


Signholders (SignPost System™)

NOTE: End user determines component location.

1. Insert puck glide into upright channel and slide to desired location.
2. Slide literature holder bracket onto glide and tighten puck to secure.



Applicable Products:

- Literature Holder, Pamphlet (YLTP1)
- Literature Holder, Catalog (YLTC1)

