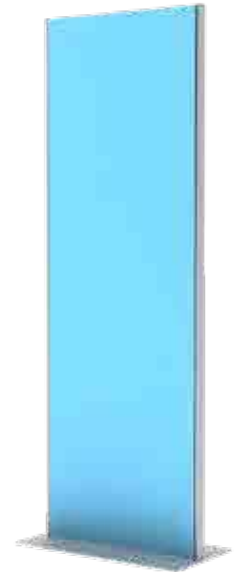
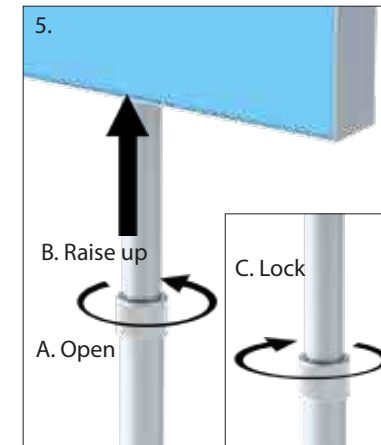
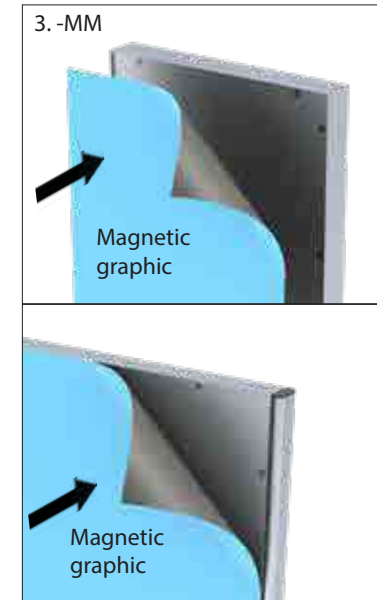
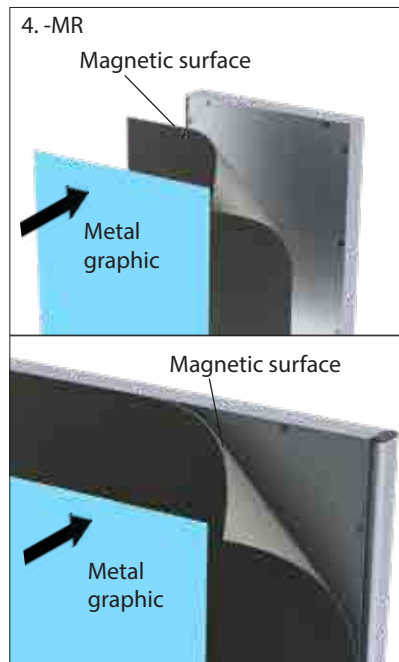
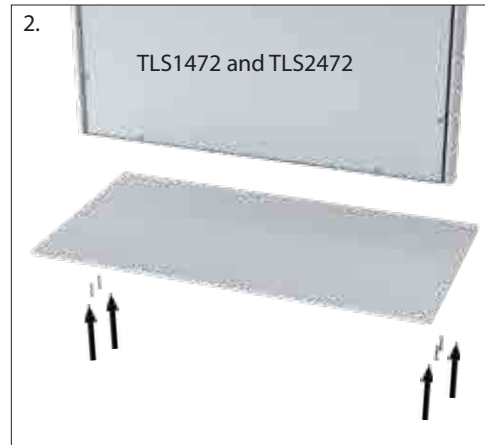
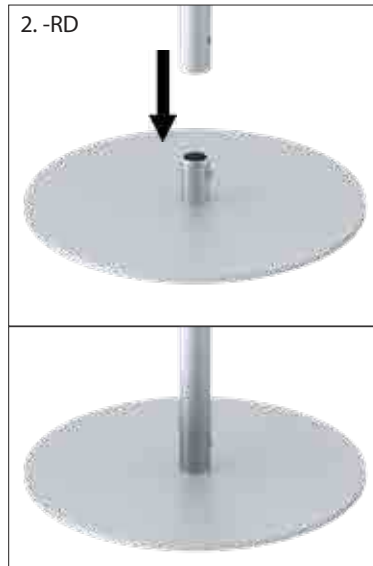
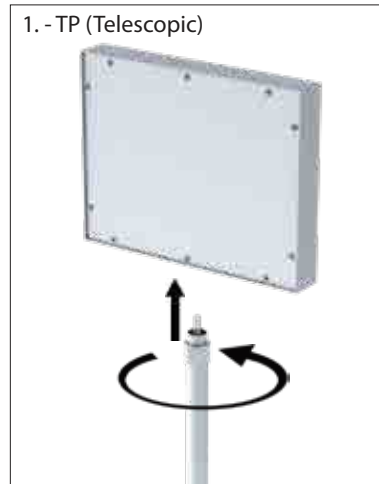


# FrameGraphix Magnetic Signware Stand™ - TLS Series

1. Screw the frame onto the upright.
2. For *-RD* and *-SQ* units: Attach the upright to the base using the spring button connection. For *TLS1472* and *TLS2472*: Attach frame to base using screws provided.
3. For *-MM* units: Attach magnetic graphic to steel surface.
4. For *-MR* units: Attach magnetic surface to metal surface, then attach metal graphic to magnetic surface.
5. For the telescopic models *-TP*: Loosen the clutch by turning the clutch counter-clockwise, then raise the upright to the desired height. Turn the clutch clockwise to lock the height position.



TLS2472-MM shown



TLS3-X-MM-SQ-V shown



TLS3-TP-MM-RD-H shown