

Wind Dancer LT

WIND-LT

Wind Dancer LT telescopic outdoor flagpole is a great option for outdoor and indoor banner display. It offers an adjustable display height of up to 13'6" and comes with a hollow base allowing the option of adding either water or sand as a weighting agent. The constructed unit is easy to position, erect and remove.



features and benefits:

- Quick to assemble and easy to use
- Adjustable height up to 13'6"
- Hardware adjustable for various graphic heights
- Hollow base can be filled with either water or sand
- Optional carry bag available
- One year hardware warranty against manufacturer defects
- Six month graphic limited warranty

dimensions:

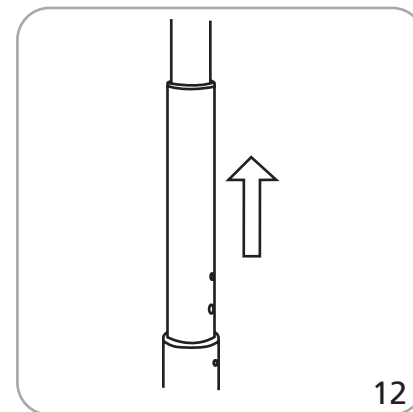
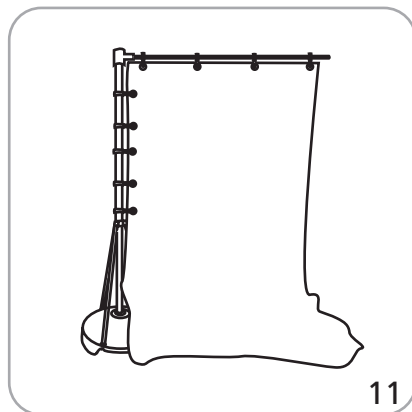
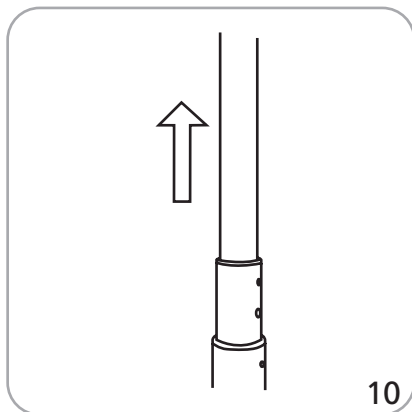
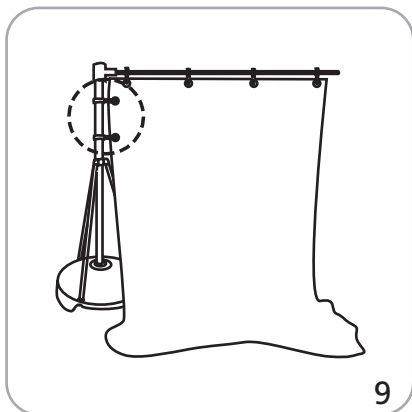
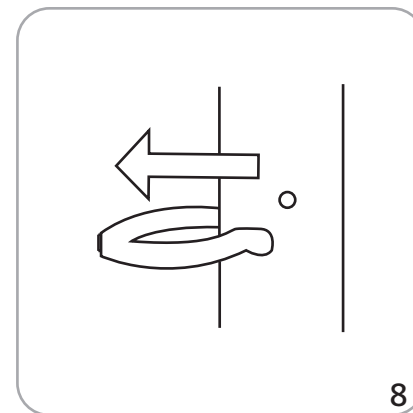
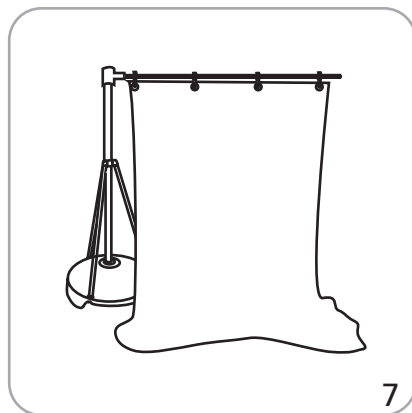
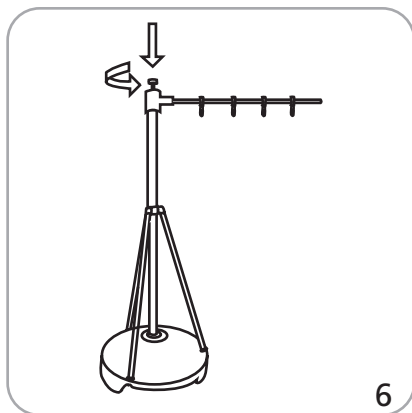
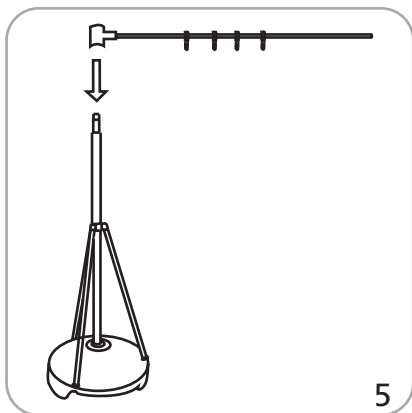
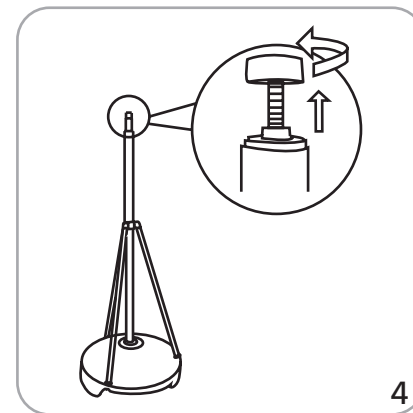
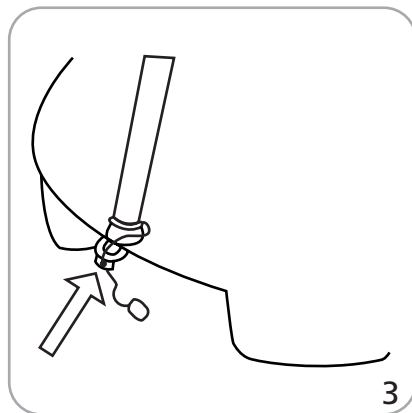
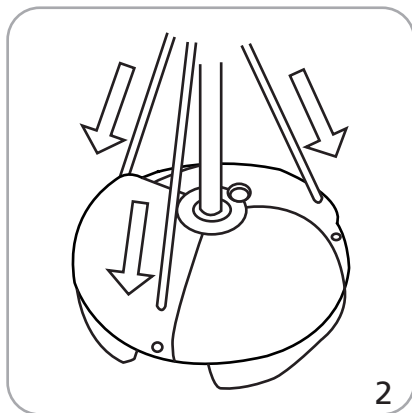
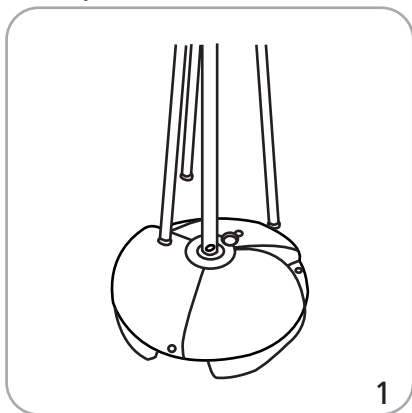
Hardware	Graphic
<p>Assembled unit: 36" w x 9'8" h up to 13'6" h x 25.5" d 914mm(w) x 2946mm(h) - 4115mm(h) x 648mm(d)</p> <p>Base weight (when filled with water): Approx. 110 lbs / 50 kg Base fillable with 11.5 gallons of water</p>	<p>Total visual area: Various graphic height options: 31.5" w x 106.5" h max 31.5" w x 58" h max</p> <p>Graphics printed on 4 oz flag using the dye-sublimation printing process will need an extra 2" bleed on the left and right and an extra 4" bleed on the top and bottom.</p>
<p>Shipping</p> <p>Shipping dimensions (ships in two boxes): Box 1 – poles: 64" l x 6" w x 6" h Box 2 – base: 27" l x 27" w x 11" h</p> <p>Shipping weight: Box 1 – poles: 11 lbs / 5 kg Box 2 – base: 12 lbs / 5.45 kg</p>	<p>Refer to related graphic template for more information.</p> <p>Visit: www.exhibitors-handbook.com/graphic-templates</p>

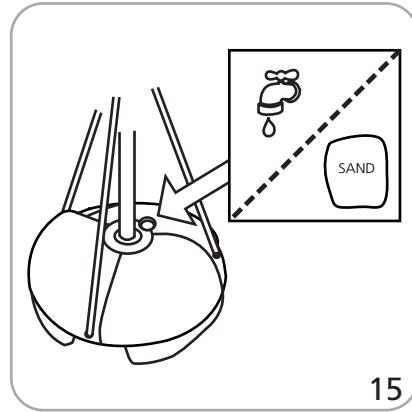
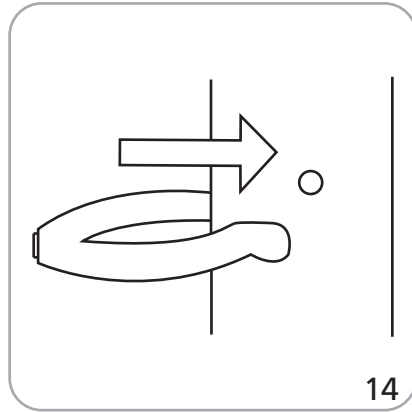
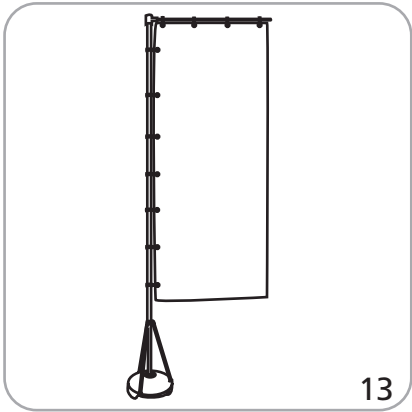
additional information:

<p>Recommended substrate: 4 oz polyester flag</p> <p>*For applications below 40° fahrenheit, please use sand in place of water in base</p>	<p>Grommets: 4 across top, 7 along side; approximately 9.8" between grommets</p> <p>Please be sure to keep all text, logos, critical design elements out of the grommet area.</p>
------------------------------------------------------------------------------------------------------------------------------------------------	-----------------------------------------------------------------------------------------------------------------------------------------------------------------------------------

We are continually improving and modifying our product range and reserve the right to vary the specifications without prior notice. All dimensions and weights quoted are approximate and we accept no responsibility for variance. E&OE. See Graphic Templates for graphic bleed specifications.

Set-up





Check out these related products:

Outdoor signage, flags and displays are great for outdoor sporting events and arenas, concerts, festivals or to draw attention to any storefront. Outdoor display products are strong, solid, stable, wind-resistant and durable. Graphics are long-lasting and can endure exposure to outdoor elements.



Wind Dancer



Zoom 3



Zoom 4



Zoom 5



Blizzard



Monsoon