

Linear Counter

LN-TBL-SA-RCT - Counter

LN-TBL-SA-RCT1 - Counter with lockable rear door

This graphics lined counter is the perfect addition to your linear display or any area you wish to attract attention while remaining functional. Graphics on three sides make this an ideal counter for any area.



*Counter available with lockable rear door and back panel graphics

features and benefits:

- Coordinates with the Linear hybrid model display line
- 3 graphic panels available to display custom graphics
- Quick and easy to assemble
- Rugged plastic molded OCH shipping case included
- Aluminum design is sturdy & stable
- Lifetime hardware warranty against manufacturer defects

dimensions:

Hardware	Graphic
<p>Assembled unit: 47" w x 37" h x 24" d 1193.8mm(w) x 939.8mm(h) x 609.6mm(d)</p> <p>Weight: 44 lbs / 19.95 kgs</p>	<p>Total visual area: Front panel: 34.5" w x 32.5" h</p> <p>Side Panels: 10.5" w x 32.5" h</p> <p>Back Side Door Graphics – Back left and right panels: 5.4" w x 32.4" h</p> <p>Back center panel: 17.5" w x 28.8" h</p> <p>Refer to related graphic template for more information.</p> <p>Visit: www.exhibitors-handbook.com/graphic-templates</p>
<p>Shipping</p> <p>Shipping dimensions: OCH Case: 52" l x 29" w x 16" h 1320.8mm(l) x 736.6mm(w) x 406.4mm(h)</p> <p>Shipping weight: 96 lbs / 43.5 kg</p>	

additional information:

Recommended material:
6mm white pvc

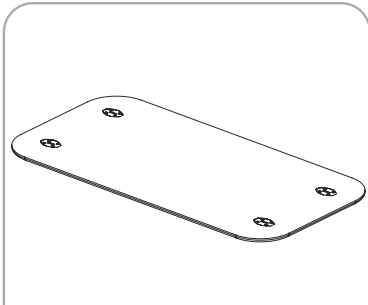
Counter supports max weight: 75 lbs / 34 kgs

Counter finishes:

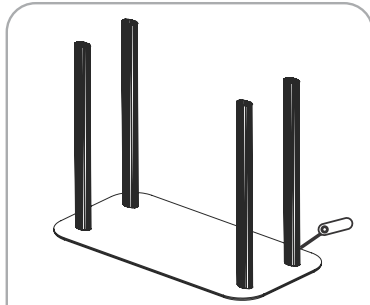


We are continually improving and modifying our product range and reserve the right to vary the specifications without prior notice. All dimensions and weights quoted are approximate and we accept no responsibility for variance. E&OE. See Graphic Templates for graphic bleed specifications.

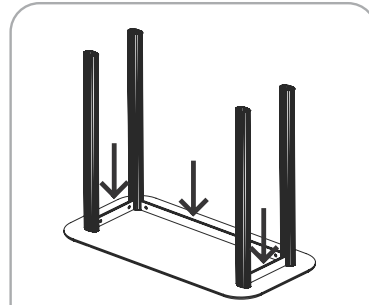
Set-up



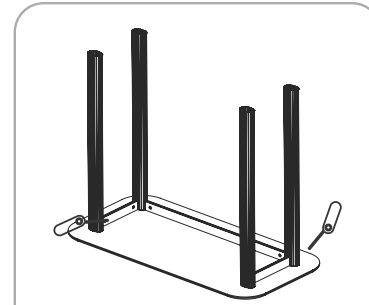
Place counter top flat on floor bottom side up. 1



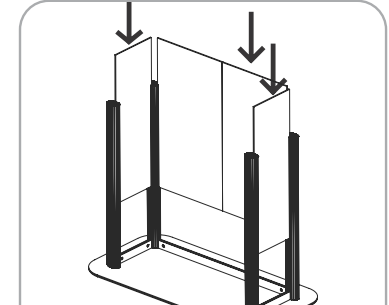
Place legs in grooves of counter top. Tighten bolt with allen key. 2



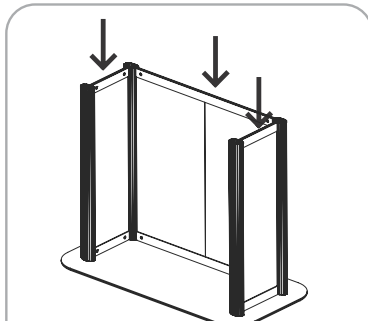
Slide leg supports between each set of legs as shown. 3



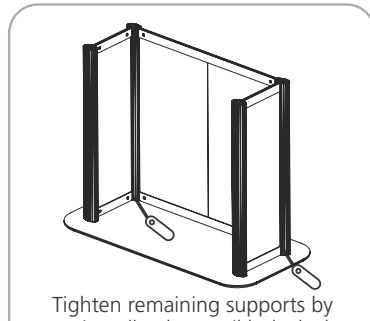
Tighten legs support bolts by turning allen key. 4



Slide in graphics. 5



Slide in remaining supports. 6

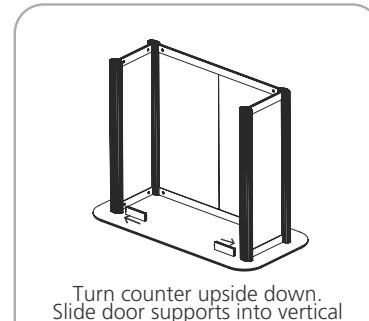


Tighten remaining supports by turning allen ket until bolts lock. Turn counter right side up.v 7



Setup is complete.

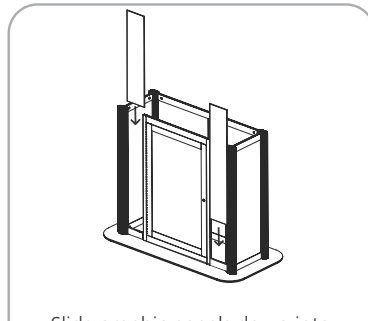
Back Door Graphic Set-up



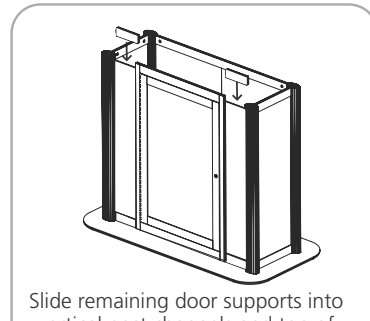
Turn counter upside down. Slide door supports into vertical extrusion channels. Lock with allen key. 1



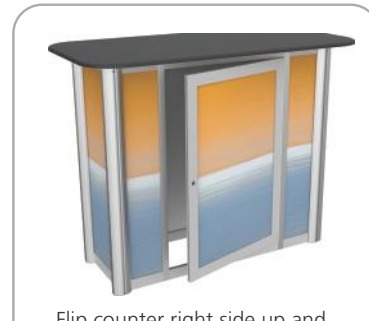
Use allen key to lock door into door supports. Door lock will be on right side during assembly. 2



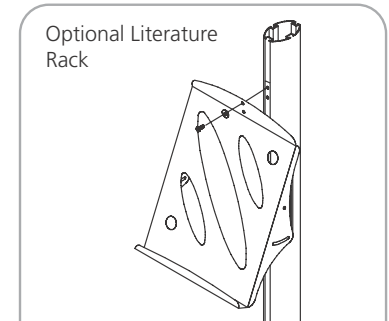
Slide graphic panels down into extrusion channels. 3



Slide remaining door supports into vertical post channels and top of graphic panel. Lock with allen key. 4



Flip counter right side up and setup is complete. 5



Optional Literature Rack